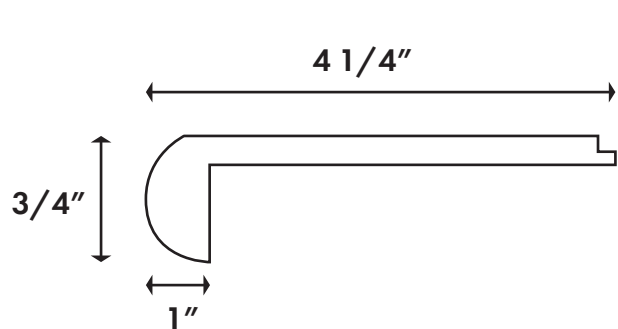
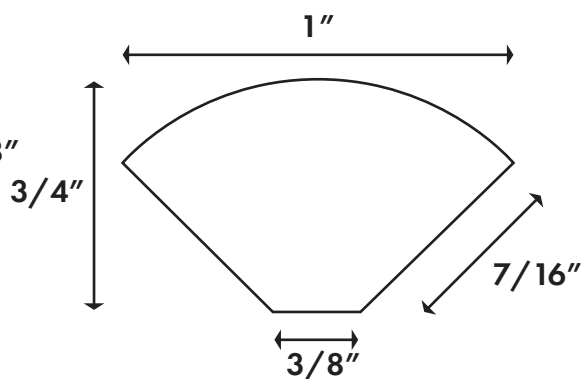


LANDMARK MOLDING SPECIFICATIONS

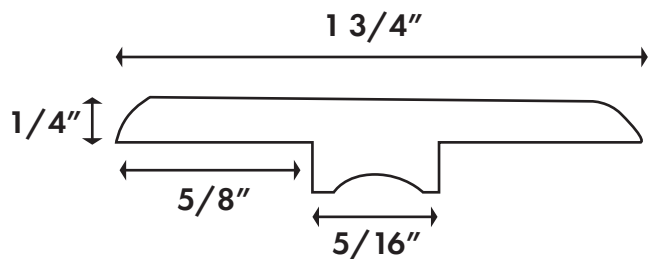
ALL MOLDINGS 84" LONG



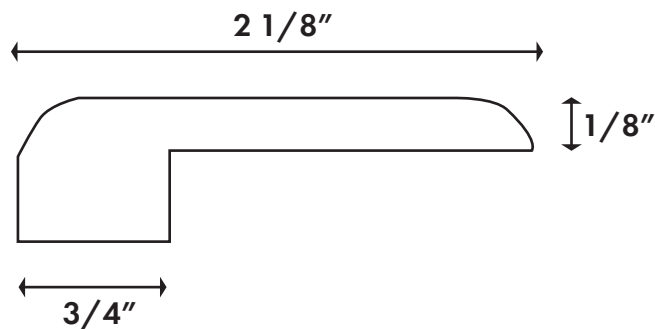
FLUSH STAIR NOSE



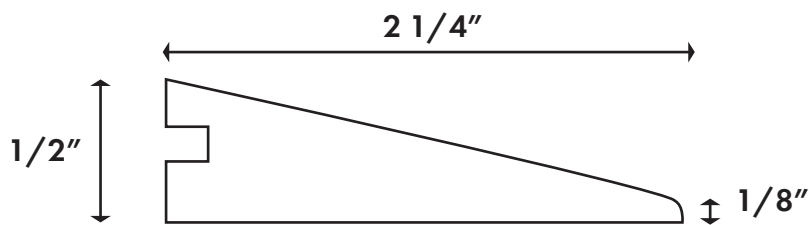
QUARTER ROUND



T-MOLDING



END CAP



REDUCER

MODELS NOT TO SCALE