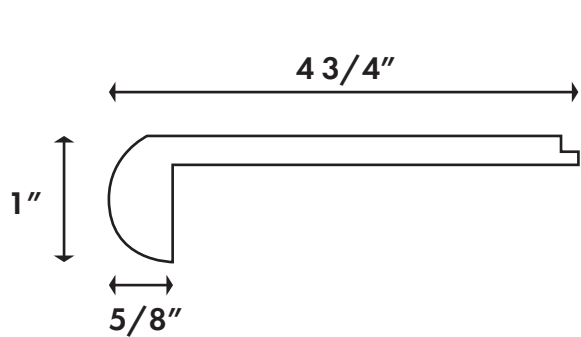
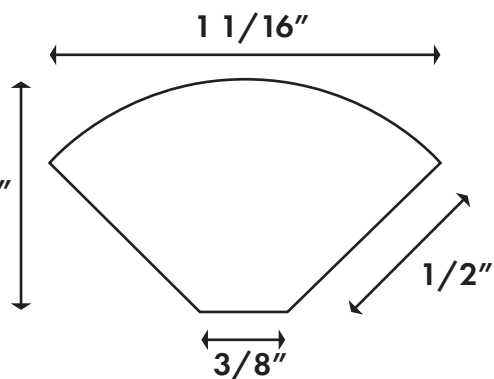


GRAND AVENUE MOLDING SPECIFICATIONS

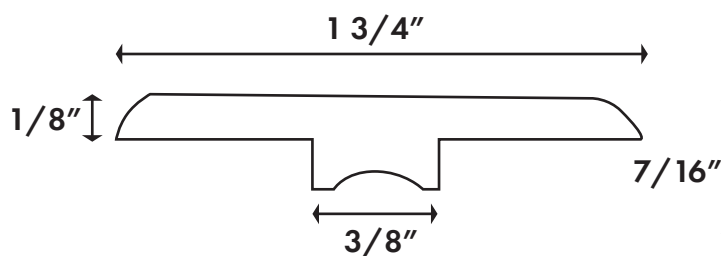
ALL MOLDINGS 94" LONG



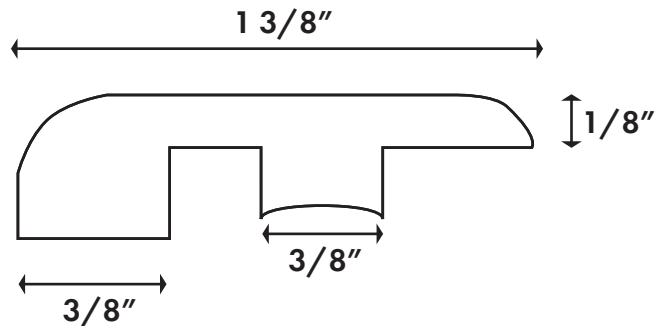
FLUSH STAIR NOSE



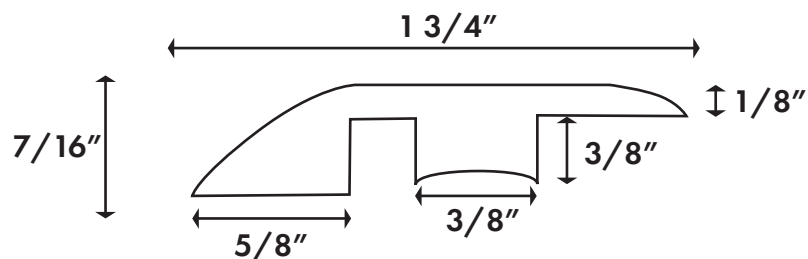
QUARTER ROUND



T-MOLDING



END CAP



REDUCER

MODELS NOT TO SCALE